

**SCHEMATIC**

8 BUILT TO ROHS COMPLIANCE

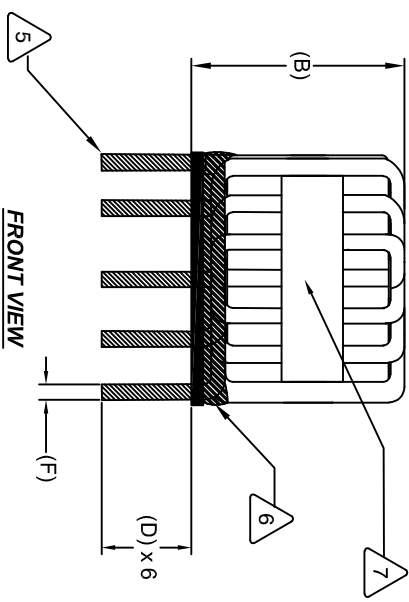
7 LABEL PART NUMBER, REVISION AND DATE CODE WHERE SHOWN.

6 APPLY SILICONE RTV BETWEEN BASE AND COIL AS SHOWN.

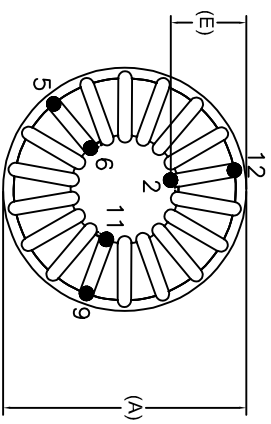
5 TRIM LEADS TO 0.75 INCHES

4 STRIP AND TIN LEADS (NO INSULATION IS ALLOWED BELOW THE BASE LEVEL.)

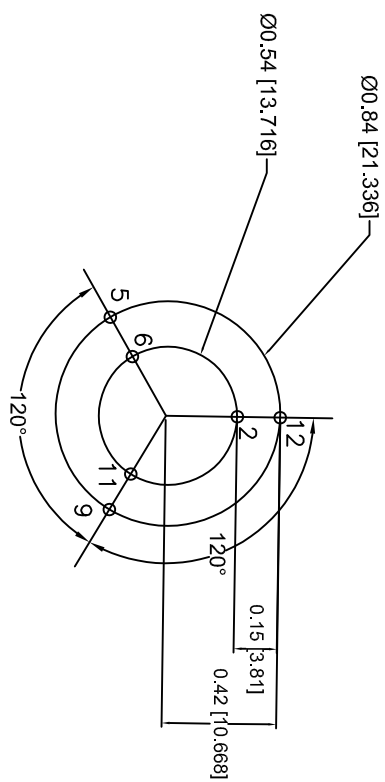
DIMENSIONAL TOLERANCE INCHES [MM]					
A(OD)	B(HGT)	D(LEAD)	E	F	
Max	Max	Min	TYP	(Lead Dia)	
0.91 [23.00]	0.63 [16.30]	0.75 [19.05]	0.15 [3.81]	0.03 [0.762]	



**FRONT VIEW**



**TOP VIEW**



**MOUNTING HOLES PATTERN**

REVISION HISTORY			
REV	ECN	DESCRIPTION	DATE
c		UPDATED ELEC. SPEC.	04/23/18
c1		CHANGED MAX DCR VALUE	02/08/19
c2		REVISED SPEC. & CONSTRUCTION NOTE	09/16/24

- 1 CASE RATING CLASS B (130°C) REQUIRED MATERIAL: UL RECOGNIZED FOR FLAMMABILITY
- 2 CORE: NANOCRYSTALLINE OR AMORPHOUS CORE
- 3 SPECIFICATIONS AT 25°C:

WIRE: UL RECOGNIZED TRIPLE INSULATED MAGNET WIRE  
 CWS BYTEMARK OR OTHER APPROVED PART

LEAKAGE INDUCTANCE = 0.5 uH TYP @ 100 KHZ, 0.25 Vrms  
 INTERWINDING CAPACITANCE = 7.8 pF TYP @ SRF

IMPEDANCE = 7.8 kΩ @ SRF  
 L = 11 mH MIN. @ 10KHZ, 0.25 Vrms, 0 ADC

OPERATING TEMP RANGE = -40 °C TO 125°C  
 MAX TEMP RISE = 30 °C  
 INTERWINDING ISOLATION = 2500 VOLTS RMS  
 DCR ON EACH WINDING = 67 mΩ MAX.  
 SRF = 860KHz TYP  
 RATED VOLTAGE = 1000 VAC OR VDC  
 RATED CURRENT = 4 AMPS

WEIGHT = ~15 GRAMS

NOTES: UNLESS OTHERWISE SPECIFIED, READ NOTES FROM BOTTOM TO TOP.  
 CAGE CODE: 50WME2

UNLESS OTHERWISE SPECIFIED	
DIMENSIONING AND TOLERANCE PER ANSI Y14.5M AND [DIMETERS].	
TOLERANCE INCHES	±.0030
TOLERANCE METRICS	±.0762
ANGLE PROJECTION	1ST ANGLE
DO NOT SCALE DRAWING	

AUTOCAD SOLIDWORKS	X		
UNLESS OTHERWISE SPECIFIED	SIGN	DATE	
DRAWN	TW	5/10/17	
CHECKED	JL	5/11/17	
ENGR.	JLU	5/11/17	
APPR.	JL	5/11/17	
TITLE: Nanocrystalline Inductor Three-Phase Common Mode Choke Horizontal Mount		SCALE	N/A
www.coilws.com sales@coilws.com 353 West Grove Ave Orange, California. 92865		SIZE	DWG. NO. TPF-113U-B03A
Coil Winding Specialist Inc.		SHEET	10F 1
		REV	C2